

Gimbals & GS-214X GS-218X



DIMENSIONS



71 x 71 x 71 mm

WEIGHT



180 g

THERMAL CAMERA



640 x 512 px

DAYTIME CAMERA



x20 EO
optical zoom

60° - 3°
optical

1.5°
digital

Micro gimbals

for intelligence, surveillance, target acquisition
and reconnaissance missions (ISTAR)

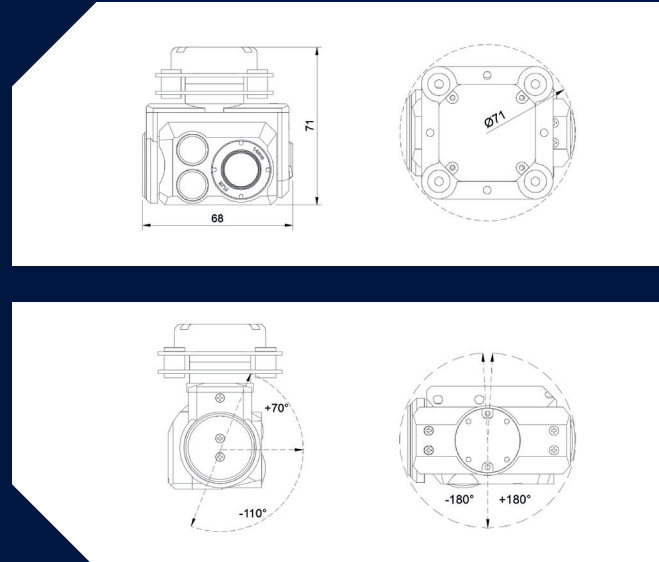
The **GS-214X** and **GS-218X** gimbals set new standards for size, weight and performance to meet the most demanding expectations of **2-axis** stabilized gimbals with dual-EO and best in class thermal imagers. Our gimbal comes with advanced image processing.

The built-in dual-EO camera ensures up to **40x** zoom (x20 optical and x2 digital), along with onboard recording and transmission to the ground control station. In addition to the EO camera, the gimbal offers a high-performance **Flir Boson+** thermal camera with 640x512 resolution. All this comes in a light compact size module with low power consumption.

OPTICS

EO camera	x2 16MP sensor
Horizontal field of view	60° - 3° (optical) 1.5° (digital)
Resolution	1280 × 960 (960p)
Thermal LWIR camera	FLIR Boson+ 640
Horizontal field of view	14mm lens HFOV 32° (GX-214S) 18mm lens HFOV 24° (GX-218S)
Resolution	640x512 px
Sensitivity	Up to <=20mK (selectable)

DIMENSIONS



GX-214S VS GX-218S LWIR SENSOR DRI according to Johnsons Criteria

	Human target [1,7x0,5m]		NATO target [2,3x2,3m]	
	GX-214S	GX-218S	GX-214S	GX-218S
Features	625m	833m	845m	1127m
Recognition	195m	260m	264m	352m
Identification	117m	156m	158m	211m

CAMERA PANNING ANGLES

IMAGE PROCESSING

Features	Digital stabilization Target tracking (coming) Scene steering (coming) MISB-compliant video stream with KLV metadata
Encoder	H.264

Snapshot from video recorded on the ground taken from 3km



Thermal camera snapshot



UAB Granta Autonomy
Mokslininky str. 2, Vilnius
LT-08412, Lithuania

info@grantaautonomy.com
www.grantaautonomy.com
Tel. +370 5 2140931

